

# WM33 & 52

## Relative Humidity and Temperature Transmitter, Wall Mount

The WM Series are wall-mounted units that have the ability to display and provide an output signal of % RH, dew point or absolute humidity and temperature. The WM Series offers excellent measurement accuracy and stability wherever a wall-mounted sensor is required.



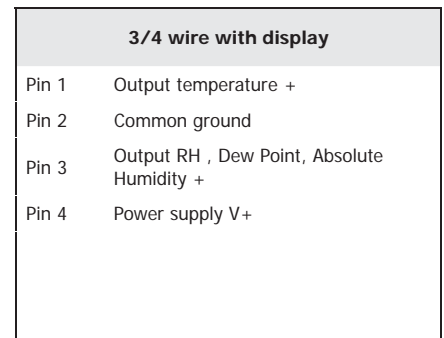
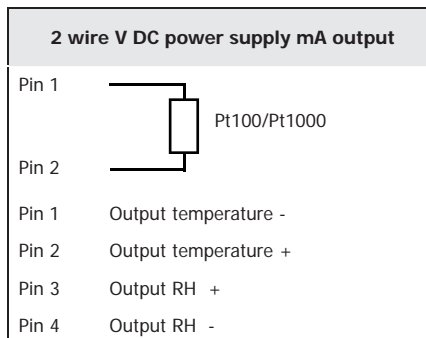
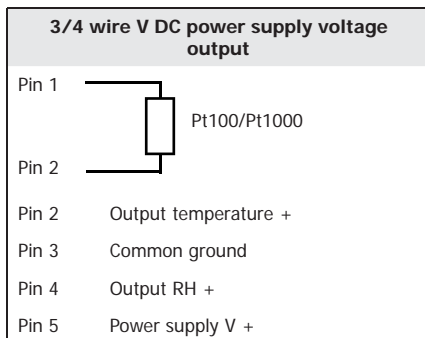
### Technical Specifications

Performance	
Measurement range (RH)	0–100% RH
Measurement range (T)	-20 to +80°C (-4 to +176°F)
Accuracy at 23°C (73°F) Humidity	WM52: <math>\pm 2\%</math> RH (10–90% RH) WM33: <math>\pm 3\%</math> RH (30–80% RH)
Accuracy at 23°C (73°F) Temperature	WM52: <math>\pm 0.2^{\circ}\text{C}</math> (<math>\pm 0.36^{\circ}\text{F}</math>) WM33: <math>\pm 0.3^{\circ}\text{C}</math> (<math>\pm 0.54^{\circ}\text{F}</math>)
Stability – RH Sensor	<math>\pm 1\%</math> RH/year
Response time – RH Sensor	<math>< 10</math> sec typical without filter (for 90% of the step change)
Electrical output/input	
Output signal	4–20 mA, 0–1, 0–5, 0–10 V
Supply voltage	14–30 V DC (for 0-5 / 0-10 V output) 5–30 V DC (for 0–1 V & 4-20 mA output)
Operating conditions	
Operating temperature	
Probe, Housing	-30 to +85°C (-22 to +185°F)
Storage	-40 to +85°C (-40 to +185°F)
PRT	
Measurement range	Pt100/1000: -50 to +200°C (-58 to +392°F)
Accuracy	Pt100/1000: <math>\pm 0.15^{\circ}\text{C}</math>
Mechanical specification	
Housing material	White molded polymer
Ingress protection	IP65 rated
Weight	82g (2.89oz)
Electrical connections	Screw terminals
Alternative outputs	
Dew point	-40 to +60°C (-40 to +140°F)
Absolute humidity	0–200g/m <sup>3</sup> (0-87.4gr/ft <sup>3</sup> )

### Highlights

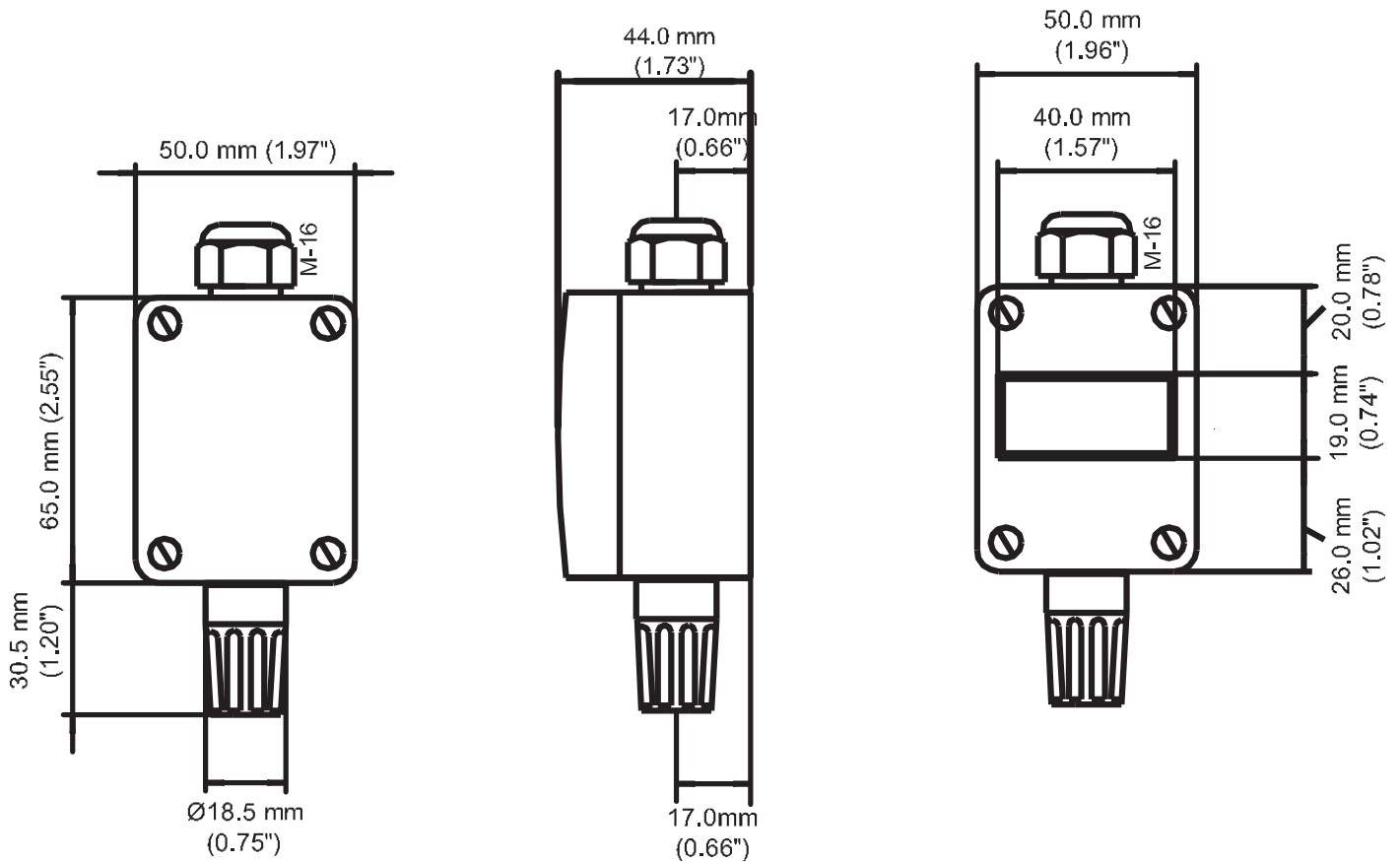
- WM33 is designed for low cost HVAC applications
- WM52 has digital technology and is designed for accurate measurements in a controlled environment
- Easy to re-calibrate to maintain high accuracy

### Electrical Connections



# WM33 & 52

## Dimensions



**Michell Instruments** 48 Lancaster Way Business Park, Ely, Cambridgeshire, CB6 3NW

Tel: +44 (0) 1353 658000, Fax: +44 (0) 1353 658199, Email: [info@michell.com](mailto:info@michell.com), Web: [www.michell.com/uk](http://www.michell.com/uk)

Please note: Michell Instruments adopts a continuous development program which sometimes necessitates specification changes without notice. Please contact us for latest version.

Issue No: WM33 & 52\_97183\_V4\_UK\_0616